

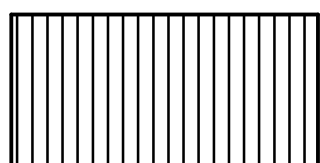


# GRELHADORES ELECTRICOS



## GRELHADOR GR 4 FIAMMA

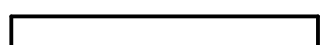
GR 4.2 - 2.0.066.0002



GR 4.1 L - 2.0.066.0005



GR 4.1 LTL - 2.0.066.0007



**DIMENSÕES (LxPxH) ..... 400x430x240 mm**  
*DIMENSIONS (LxPxH)*

**POTÊNCIA ..... 1800 W**  
*POWER*

**TENSÃO DE ALIMENTAÇÃO ..... 230V-50Hz**  
*POWER SUPPLY*

**TERMOSTATO REGULÁVEL ..... 250 °C**  
*ADJUSTABLE THERMOSTAT*

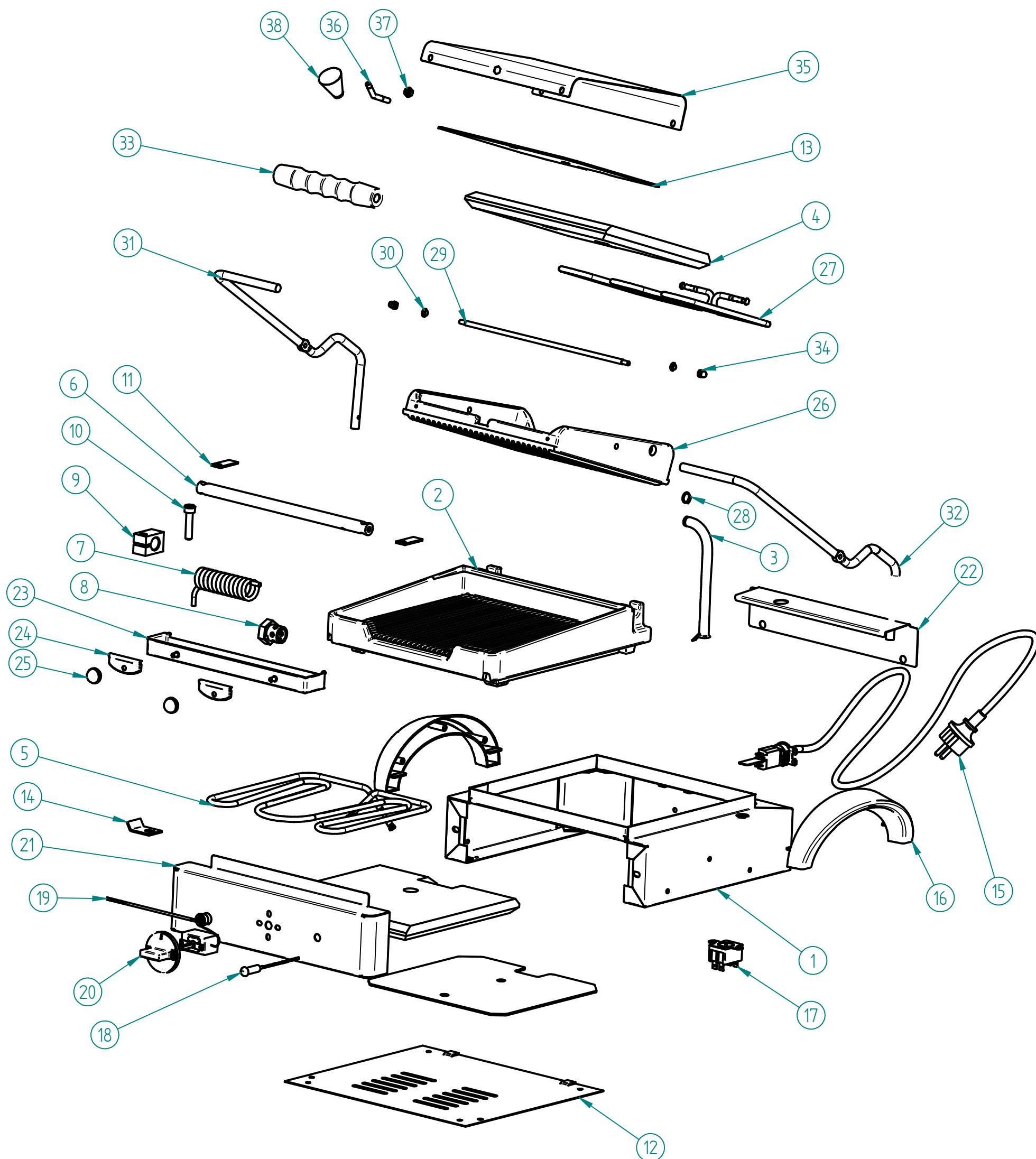
**ÁREA UTIL DE TRABALHO ..... 255x245 mm**  
*WORKING AREA*

**PESO LIQUIDO ..... 20 kg**  
*NET WEIGHT*

**PESO BRUTO ..... 23 kg**  
*GROSS WEIGHT*

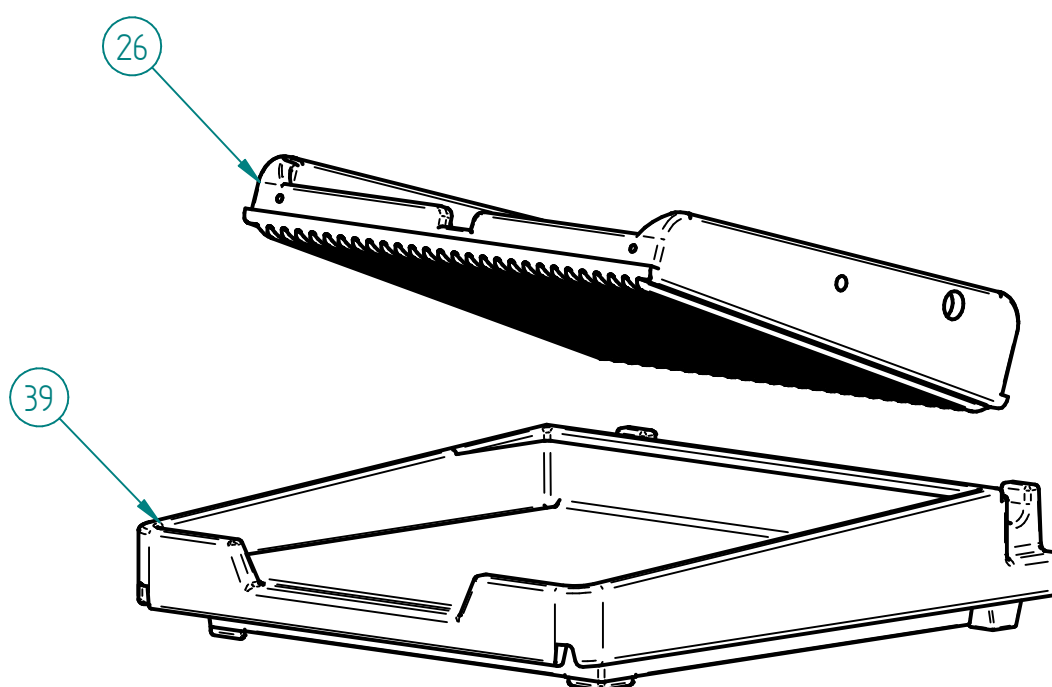
**DIMENSÕES DA EMBALAGEM (LxPxH) ..... 450x485x295 mm**  
*PACKAGE DIMENSIONS*

# GRELHADOR GR 4.2 / GR 4.1 L / GR 4.1 LTL FIAMMA

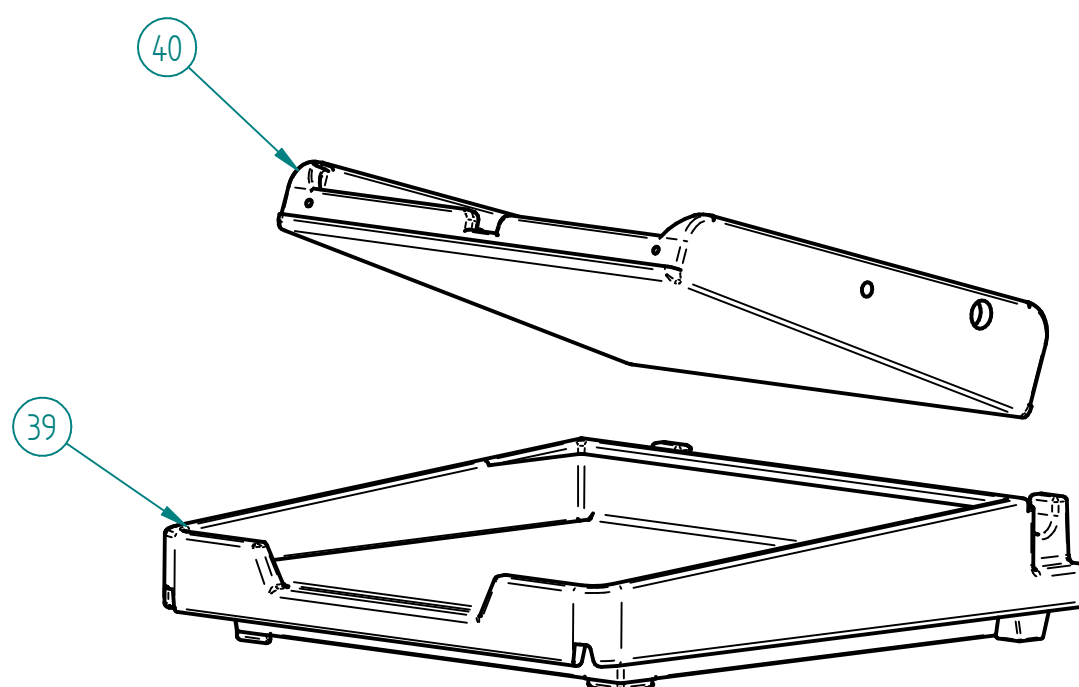


## GR 4.2 FIAMMA - 2.0.066.0002

# GRELHADOR GR 4.2 / GR 4.1 L / GR 4.1 LTL FIAMMA



## GR 4.1 L FIAMMA - 2.0.066.0005



## GR 4.1 LTL FIAMMA- 2.0.066.0007

## GRELHADOR GR 4.2 / GR 4.1 L / GR 4.1 LTL FIAMMA

### LISTA DE COMPONENTES E ACESSÓRIOS Spare parts list

ITEM Nº	CÓDIGO	DESIGNAÇÃO	DESIGNATION	QUANT.
1	7.0.066.0035	CHASSI CONJUNTO GR 4	OUTER CASING ASSEMB. GR 4	1
2	7.0.066.0080	BASE CANEL. PINT. GR 4	PAINTED GROOVED BOTTOM PLATE GR 4	1
3	4.0.066.0089	TUBO ISOLADOR GR	INSULATING TUBE GR	1
4	7.0.066.0028	ISOLAMENTO LA CERAMICA GR 4/GR 8	CERAMIC WOOL INSULATION GR 4/GR 8	2
5	4.0.066.0083	RESISTENCIA INFERIOR 1150W 240V GR 4 / GR 8	LOWER HEATING ELEMENT 1150W 240V	1
6	7.0.066.0010	VEIO POSTERIOR ZINC. GR 4 / GR 8	ZINC-PLATED REAR SHAFT GR 4 / GR 8	1
7	4.0.066.0020	MOLA INOX 5MM	SPRING 5MM	1
8	4.0.066.0044	AFINADOR DA MOLA GR	SPRING ADJUSTOR GR	1
9	7.0.066.0075	AJUSTADOR BRONZE MAQ. GR	BRASS ADJUSTER GR	1
10	4.0.066.0060	PARAFUSO UMBRACO M8x35 ZINC. DIN912	CYLIND. HEAD SCREW W/ HEX. SOCKET M8X35 ZINC. DIN912	1
11	7.0.066.0007	CHAPA FIXAÇÃO VEIO GR	SHAFT BRACKET GR	2
12	7.0.066.0055	BLINDAGEM DO FUNDO MAQUIN. GR4	BOTTOM SHIELD GR 4	1
13	7.0.066.0020	CHAPA FIXAÇÃO RESIST. GR 4 / GR 8	HEATING ELEMENT BRACKET GR 4 / GR 8	2
14	7.0.066.0018	FIXADOR BOLBO TERMOSTATO GR	THERMOSTAT BULB BRACKET GR	1
15	4.0.075.0074	CABO SECTOR CONJ. 3G1(PA 84E)	FEEDING CABLE ASS. 3G1	1
16	4.0.075.0064	ASA PLASTICO	PLASTIC WING	2
17	4.0.066.0108	TERMOSTATO SEGURANÇA 150°	SAFETY THERMOSTAT 150°	1
18	4.0.066.0025	SINALIZADOR LARANJA TER. PONT. 350MM SL10207	350MM ORANGE LED	1
19	4.0.066.0114	TERMOSTATO REGULAVEL 250°	250° ADJUSTABLE THERMOSTAT	1
20	4.0.066.0112	MANIPULO TERMOSTATO 0-250°	THERMOSTAT CONTROL KNOB	1
21	7.0.066.0088	PAINEL FRONTAL ESTAMP. C/ PORCAS GR 4	PRINTED FRONT PANEL W/NUTS GR 4	1
22	7.0.066.0065	PROTECÇÃO MOLA GR 4	SPRING PROTECTION GR 4	1
23	7.0.066.0070	MOLHEIRA CONJUNTO GR4	DRIP TRAY ASSEMB. GR 4	1
24	4.0.066.0088	PROTECÇÃO TERMICA MOLHEIRA GR	THERMIC PROTECTION	2
25	4.0.066.0037	MANIPULO ESFERICO Ø18MM (M5)	HANDLE DRIP TRAY	2
26	7.0.067.0075	GRELHA SUPERIOR DIR. CANEL. PINT. GR 4 / GR 8	PAINTED GROOVED UPPER RIGHT PLATE GR 4 / GR 8	1
27	4.0.066.0084	RESISTENCIA SUPERIOR 850W 240V GR4/GR8	UPPER HEATING ELEMENT 850W 240V GR4/GR8	1
28	4.0.066.0065	FREIO EXTERIOR 12MM	EXTERIOR BRAQUE 12MM	1
29	7.0.066.0005	EIXO TAMPA GR 4	LID SHAFT GR 4	1
30	7.0.066.0006	CASQUILHO GR 5353.000.13 NIQ.	SLEEVE GR 5353.000.13 NIQ.	2
31	7.0.066.0023	BRAÇO ESQUERDO CROM GR4 / GR8	CHROMED-PLATED LEFT ARM GR 4 / GR 8	1
32	7.0.066.0025	BRAÇO DIREITO CROM GR4 / GR8	CHROMED-PLATED RIGHT ARM GR 4 / GR 8	1
33	4.0.066.0048	PEGADEIRA Ø10MM GR	HANDLE DIAM. 10 GR	1
34	4.0.066.0030	PORCA M5 NIQ. DIN1587	NUT M5	2
35	7.0.066.0060	TAMPA GRELHA SUP. GR 4 / GR 8	UPPER PLATE COVER GR 4 / GR 8	1
36	7.0.066.0013	VEIO PUNHO INOX GR 5353.000.18	STAINLESS STEEL HANDLE SHAFT GR 5353.000.18	1
37	4.2.000.9181	PORCA M6 INOX DIN934	M6 NUT STAINLESS STEEL DIN934	1
38	4.0.065.0004	MANIPULO 607 A C/ ROSCA M6	KNOB 607 WITH THREAD M6	1
39	7.0.066.0090	BASE LISA PINTADA GR4	PAINTED SMOOTH BOTTOM PLATE GR 4	1
40	7.0.067.0078	GRELHA SUPERIOR DIR. LISA PINT. GR 4 / GR 8	PAINTED SMOOTH UPPER RIGHT PLATE GR 4 / GR 8	1

**GRELHADOR GR 4.2 / GR 4.1 L / GR 4.1 LTL  
FIAMMA**

ESQUEMA ELECTRICO

